



WERLATONE

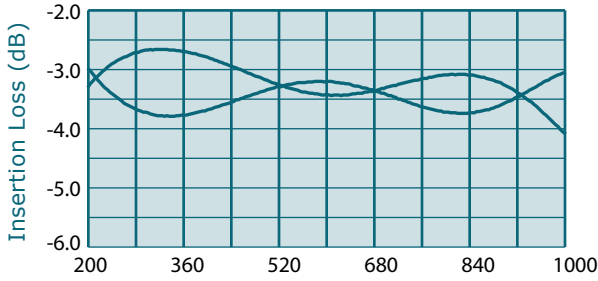
SINCE 1965

Werlatone, Inc.
17 Jon Barrett Road
Patterson, New York 12563
T 845.278.2220
F 845.278.3440
www.werlatone.com

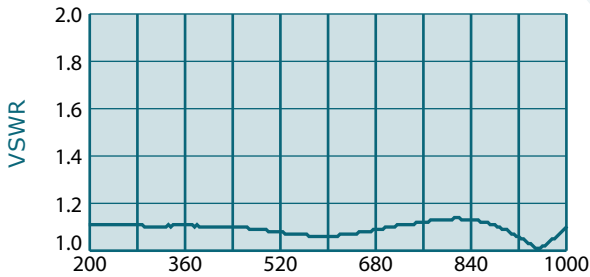


-3 dB Hybrid Coupler (Drop-In)

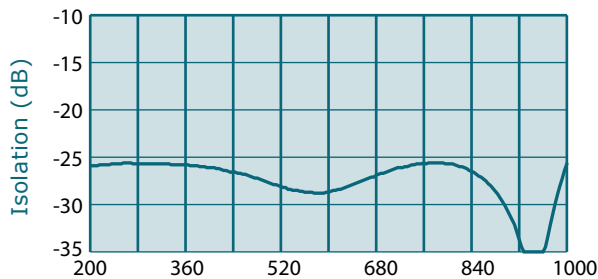
Model QH7785



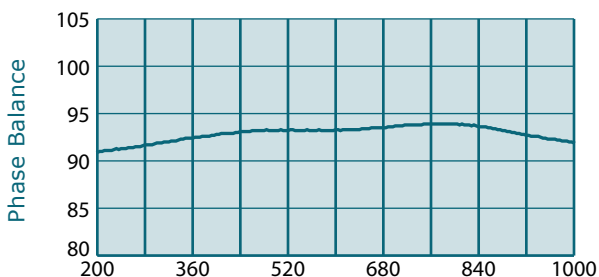
Frequency (MHz)



Frequency (MHz)



Frequency (MHz)



Frequency (MHz)

Frequency: 200-1000 MHz

Power: 100 W CW

Insertion Loss: 0.5 dB Max.

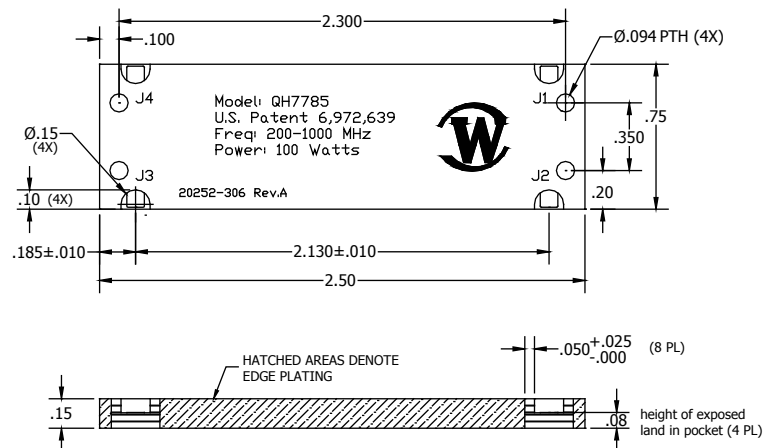
VSWR: 1.30:1 Max.

Isolation: 20 dB Min.

Phase Balance: 90° ± 5° Max.

Amplitude Balance: ± 0.6 dB Max.

- Operating Temperature: -55° to +85° C
- All specifications guaranteed.



NOTES: UNLESS OTHERWISE SPECIFIED

1. SURFACE FINISH: 40 ± 15 micro-INCHES IMMERSION TIN IAW IPC 4554.
2. MOUNT COUPLER FLUSH WITH HEATSINK.
3. STRIPLINE STRUCTURE HAS EXPOSED COPPER LANDS. PCB MUST HAVE A CUTOUT TO ACCOMMODATE PART. ALIGN 50 Ohm LANDS WITH .08" EXPOSED LAND AND MAKE SOLDER JOINT WITH LEAD (NOT SUPPLIED).

**Subject to change without notice

high power RF devices